

Despatched within
3
days

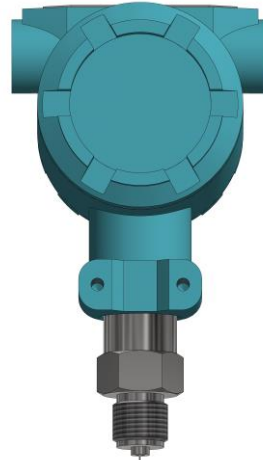
Process Instrument Gauges & Transmitters



232.50/232.30
233.50/233.30



IS-3



2088 / 2051 / 3051S
GP / AP



2088 / 2051 / 3051S
GP / AP



Over Range
Protector



Swivel
Adaptor



3 Fin Cooling



5 Fin Cooling



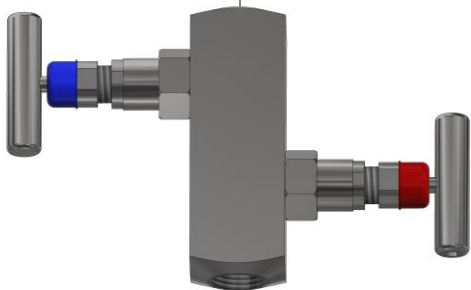
Fixed F/M
Adaptor



Fixed M/M
Adaptor

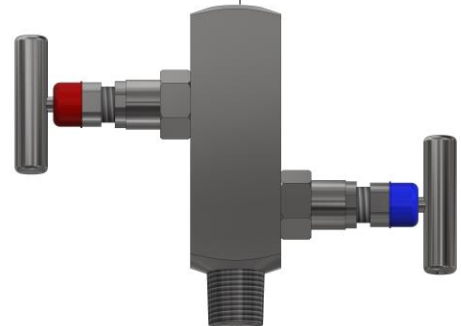


Barstock
Syphon



2 Valve
Manifold F/F

Tag Plate



2 Valve
Manifold F/M



**Designed, assembled, tested,
calibrated & despatched within 3 days!**

Phone: 0161 707 4838 Email: sales@bkwinstruments.co.uk



PRESSURE GAUGES & TRANSMITTERS

Model:	232.50 / 233.50	232.30 / 233.30	IS-3	2088	2051	3051S	
Description:	Stainless Steel 100mm (4") Industrial	Stainless Steel 100mm (4") Safety Pattern ATEX	Stainless Steel Field Housing Hazardous Area ATEX / IECEx Intrinsically Safe	Aluminium Housing In-line ATEX Flameproof Intrinsically Safe Type n, Dust	Aluminium Housing LCD Indicator ATEX Flameproof Intrinsically Safe Type n, Dust	Aluminium Housing LCD Indicator ATEX Flameproof Intrinsically Safe Type n, Dust	
Output:	N/A	N/A	4 ... 20 mA	4 ... 20 mA HART	4 ... 20 mA HART	4 ... 20 mA HART	
Input:	N/A	N/A	2 wire	2 wire	2 wire	2 wire	
IP Rating:	IP65	IP65	IP69K	IP66/68	IP66/68	IP66/68	
Thread/Conn:	G 1/2 B	G 1/2 B or 1/2" NPT	G 1/2 B	G 1/2 B or 1/2" NPT	G 1/2 B or 1/2" NPT	G 1/2 B or 1/2" NPT	
Ranges:	Fixed bar / psi -1 / 0 0 - 1 0 - 2.5 0 - 4 0 - 6 0 - 10 0 - 16 0 - 25 0 - 40	Fixed bar / psi -1 / 0 0 - 1 0 - 2.5 0 - 4 0 - 6 0 - 10 0 - 16 0 - 25 0 - 40 0 - 60 0 - 100 0 - 160 0 - 250 0 - 400 0 - 600	Fixed Gauge barg -1 / 0 0 - 2.5 0 - 4 0 - 10 0 - 16 0 - 40	Scalable Gauge barg 0 - 2.1 0 - 10 0 - 55	Absolute bar 0 - 2.1 0 - 10	Scalable Gauge barg 0 - 10 0 - 55 0 - 276	Scalable Gauge barg 0 - 10 0 - 55 0 - 276
Options:	Back Plate	Lugs	-	-	-	-	

Model:	Over Range Protector	Cooling Tower			Barstock Syphon	
Details:	2-6 bar 5-25 bar 20-60 bar	3 Fin	5 Fin		-	
Instrument:	Female 1/2" NPT	Female 1/2" BSP	Female 1/2" BSP	Female 1/2" NPT	Female 1/2" BSP	Female 1/2" NPT
Process:	Male 1/2" NPT	Male 1/2" BSP	Male 1/2" BSP	Male 1/2" NPT	Male 1/2" BSP	Male 1/2" NPT
Material:	316 Stainless Steel					
Model:	Fixed Adaptor				Swivel Adaptor	
Details:	Female to Male			Male to Male		
Instrument:	1/2" BSP	1/2" BSP	1/2" BSP	1/2" NPT	1/2" NPT	1/2" NPT
Process:	1/2" NPT	1/4" BSP	1/4" NPT	1/2" BSP	1/2" BSPT	1/2" NPT
Material:	316 Stainless Steel					

Model:	Valve 2 Way Direct Manifold		
Description:	1/2" BSP F x 1/2" BSP M	1/2" NPT F x 1/2" NPT M	1/2" NPT F x 1/2" NPT F
Material:	316 Stainless Steel		

316 Stainless Steel Tags
Advise your unique identification number.

Documentation					
Type:	QS CALCERT	COC	QB 3.1CERT	SPCERT	TC
Description:	Calibration Certificate	Certificate of Conformity	3.1 Material Certificate	Set Point Test Certificate	Test Certificate



**Designed, assembled, tested,
calibrated & despatched within 3 days!**

Phone: 0161 707 4838 Email: sales@bkwinstruments.co.uk

