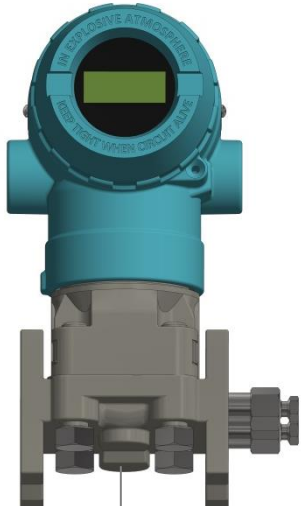


Despatched within
3
days

Differential Pressure Transmitters



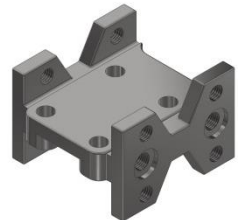
2051CD



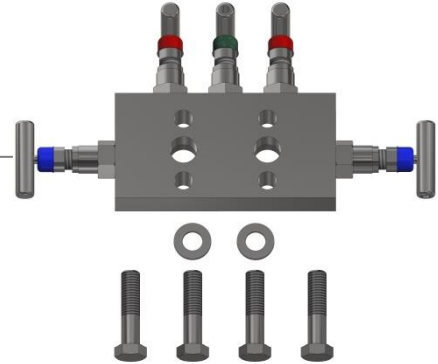
3051S



Kidney Flanges



Traditional H Flange



Traditional 5 Valve Manifold F/M

BKW
T: 0161 707 4838
sales@bkwinstruments.co.uk
www.bkwinstruments.co.uk

- Pressure
- Temperature
- Level
- Flow
- Valves
- Analytical
- Service

Tag Plate



**Designed, assembled, tested,
calibrated & despatched within 3 days!**
Phone: 0161 707 4838 Email: sales@bkwinstruments.co.uk



DIFFERENTIAL PRESSURE TRANSMITTERS

| Model: | 2051CD | 3051S |
|----------------------------|---|---|
| Description: | Aluminium Housing LCD Indicator ATEX Flameproof Intrinsically Safe Type n, Dust | Aluminium Housing LCD Indicator ATEX Flameproof Intrinsically Safe Type n, Dust |
| Output: | 4 ... 20 mA HART | 4 ... 20 mA HART |
| Input: | 2 wire | 2 wire |
| IP Rating: | IP66/68 | IP66/68 |
| Process Connection: | 1/4" NPT Traditional H Flange | 1/4" NPT Coplanar |
| Ranges: | Differential 0 – 25 "H ₂ O 0 – 250 "H ₂ O 0 – 1,000 "H ₂ O 0 – 300 psi | Differential 0 – 25 "H ₂ O 0 – 250 "H ₂ O 0 – 1,000 "H ₂ O 0 – 300 psi |

| Model: | Traditional H Flange Kit |
|----------------------------|--------------------------|
| Process Connection: | 1/4" NPT Female |
| Material: | 316 Stainless Steel |

| Model: | Traditional 5 Valve Direct Manifold Kit |
|----------------------------|---|
| Process Connection: | 1/2" NPT Female |
| Material: | 316 Stainless Steel |

| Model: | Kidney Flange |
|----------------------------|---------------------|
| Process Connection: | 1/2" NPT Female |
| Material: | 316 Stainless Steel |

316 Stainless Steel Tags

Advise your unique identification number.

Documentation

| Type: | QS CALCERT | COC | QB 3.1CERT | TC |
|---------------------|-------------------------|---------------------------|--------------------------|------------------|
| Description: | Calibration Certificate | Certificate of Conformity | 3.1 Material Certificate | Test Certificate |



**Designed, assembled, tested,
calibrated & despatched within 3 days!**

Phone: 0161 707 4838 Email: sales@bkwinstruments.co.uk

