

# Digital temperature transmitter for thermocouples

## Model T16.H, head mounting version

## Model T16.R, rail mounting version

WIKA data sheet TE 16.01



### Applications

- Process industry
- Machine building and plant construction

### Special features

- For the connection of all standard thermocouples
- High accuracy
- Parameterisation with the WIKAsoft-TT configuration software and electrical connection via quick connector magWIK
- Connection terminals also accessible from the outside
- EMC stability in compliance with the latest standard (EN 61326-2-3:2013)



Fig. left: Head mounting version, model T16.H  
Fig. right: Rail mounting version, model T16.R

### Description

These temperature transmitters are designed for universal use in plant and machine building, and also in the process industry. They offer high accuracy and excellent protection against electromagnetic influences (EMI). Via the WIKAsoft-TT configuration software and the model PU-448 programming unit, the model T16 temperature transmitters can be parameterised very easily, quickly and with a clear overview.

Besides the selection of the sensor type and the measuring range, the software enables the error signalling operation, damping, several measuring point descriptions and process adjustment to be stored. Furthermore, the WIKAsoft-TT software offers a line recording functionality where the temperature profile for the thermocouple connected to the T16 can be displayed.

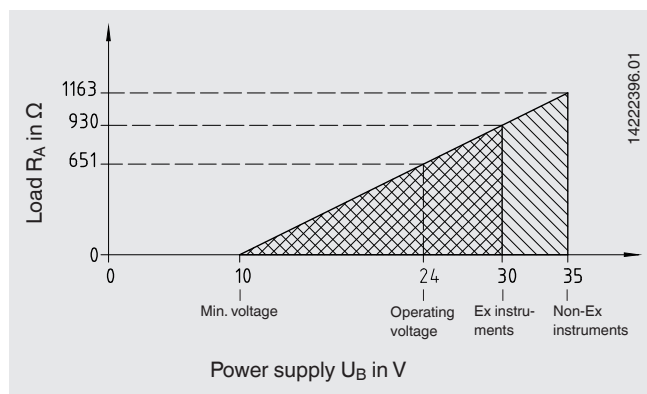
The model T16 transmitter features diverse supervisory functionality, such as sensor-break detection and monitoring of the measuring range. Moreover, these transmitters have comprehensive cyclic self-monitoring functionality.

## Specifications

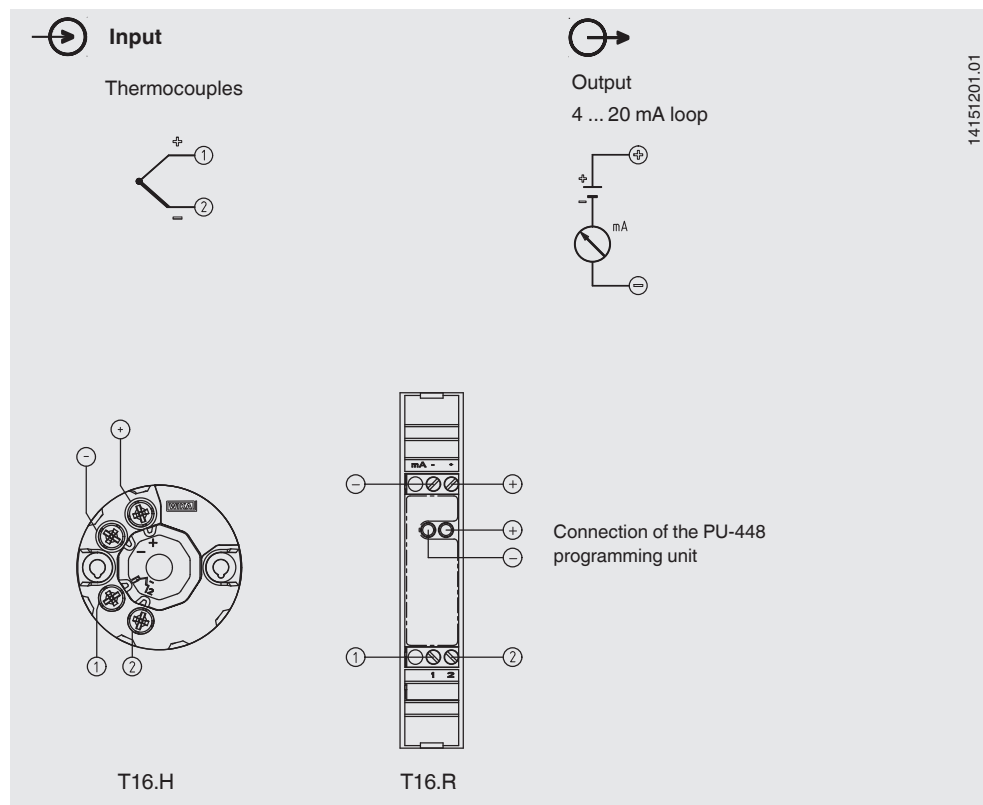
Power supply	
Power supply $U_B$	DC 10 ... 35 V
Load $R_A$	$R_A \leq (U_B - 10 \text{ V}) / 0.0215 \text{ A}$ with $R_A$ in $\Omega$ and $U_B$ in V
Ex-relevant connection values	see "Safety-relevant characteristics (explosion-protected version)"

### Load diagram

The permissible load depends on the loop supply voltage.



## Designation of connection terminals



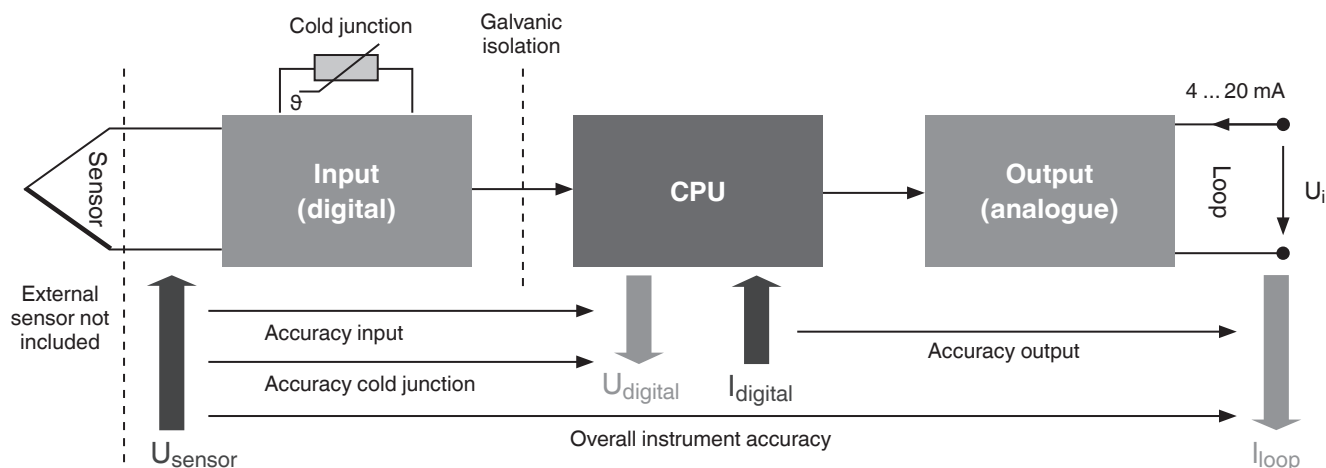
Input of the temperature transmitter			
Thermocouple type	Max. configurable measuring range (MR)	Standard	Min. measuring span (MS)
J	-210 ... +1,200 °C (-346 ... +2,192 °F)	IEC 60584-1	50 K
K	-270 ... +1,300 °C (-454 ... +2,372 °F)	IEC 60584-1	50 K
B	0 ... 1,820 °C (32 ... 3,308 °F)	IEC 60584-1	200 K
N	-270 ... +1,300 °C (-454 ... +2,372 °F)	IEC 60584-1	50 K
R	-50 ... +1,768 °C (-58 ... +3,214.4 °F)	IEC 60584-1	150 K
S	-50 ... +1,768 °C (-58 ... +3,214.4 °F)	IEC 60584-1	150 K
T	-270 ... +400 °C (-454 ... +752 °F)	IEC 60584-1	50 K
E	-270 ... +1,000 °C (-454 ... +1,832 °F)	IEC 60584-1	50 K
C	0 ... 2,315 °C (32 ... 4,199 °F)	IEC 60584-1	150 K
A	0 ... 2,500 °C (32 ... 4,532 °F)	IEC 60584-1	150 K
L	-200 ... +900 °C (-328 ... +1,652 °F)	DIN 43710	50 K
Lru	-200 ... +800 °C (-328 ... +1,472 °F)	-	50 K

Factory configuration	
Sensor	Type K
Measuring range	0 ... 600 °C
Error signalling	Downscale
Damping	Off

Analogue output, output limits, signalling		
Analogue output, configurable	Linear to temperature per IEC 60584/DIN 43710	
Output limits per NAMUR NE43	Lower limit 3.8 mA	Upper limit 20.5 mA
Current value for signalling, configurable per NAMUR NE43	Downscale < 3.6 mA (3.5 mA)	Upscale > 21.0 mA (21.5 mA)

Time response	
Switch-on time (time to get the first measured value)	Max. 4 s
Warm-up time	After a max. 45 minutes the accuracy specifications are reached (due to the internal cold junction)
Step response time	< 0.7 s
Damping	Configurable between 1 s and 60 s
Typical measuring rate	Measured value update approx. 8/s

## Accuracy specifications



The product-specific accuracy specifications refer to the overall instrument.

$$(\text{Error}_{\text{overall}} = \text{Error}_{\text{input}} + \text{Error}_{\text{cold junction}} + \text{Error}_{\text{output}})$$

To determine the overall error, all possible types of error must be considered. These are summarised in the following table.

Special features			
<b>Reference conditions</b>	Calibration temperature $T_{\text{ref}} = 23 \text{ °C} \pm 3 \text{ K}$ Power supply $U_{i,\text{ref}} = 24 \text{ V}$ Atmospheric pressure = 860 ... 1,060 hPa All accuracy specifications refer to the reference conditions.		
<b>Accuracy specifications</b>	Input measuring deviation per DIN EN 60770, NE145 <sup>1)</sup>	Mean temperature coefficient (TC) every 10 K ambient temperature deviation from $T_{\text{ref}}$	Long-term drift in line with IEC 61298-2 per year
<b>J</b>	$\leq 0 \text{ °C}: 0.45 \text{ K} + 0.3 \% \text{ IMVI}$ $\geq 0 \text{ °C}: 0.45 \text{ K} + 0.045 \% \text{ MV}$	$\pm 0.2 \text{ K}$	40 $\mu\text{V}$ / 0.1 % MV (greater value applies)
<b>K</b>	$\leq 0 \text{ °C}: 0.6 \text{ K} + 0.3 \% \text{ IMVI}$ $\geq 0 \text{ °C}: 0.6 \text{ K} + 0.06 \% \text{ MV}$		
<b>B</b>	$\leq 1,000 \text{ °C}: 2.5 \text{ K} + 0.3 \% \text{ IMV} - 1,000$ $\geq 1,000 \text{ °C}: 2.5 \text{ K}$		
<b>N</b>	$\leq 0 \text{ °C}: 0.75 \text{ K} + 0.3 \% \text{ IMVI}$ $\geq 0 \text{ °C}: 0.75 \text{ K} + 0.045 \% \text{ MV}$		
<b>R</b>	$\leq 400 \text{ °C}: 2.2 \text{ K} + 0.18 \% \text{ IMVI}$ $\geq 400 \text{ °C}: 2.2 \text{ K} + 0.015 \% \text{ MV}$		
<b>S</b>	$\leq 400 \text{ °C}: 2.2 \text{ K} + 0.18 \% \text{ IMVI}$ $\geq 400 \text{ °C}: 2.2 \text{ K} + 0.015 \% \text{ MV}$		
<b>T</b>	$\leq 0 \text{ °C}: 0.6 \text{ K} + 0.3 \% \text{ IMVI}$ $\geq 0 \text{ °C}: 0.6 \text{ K} + 0.015 \% \text{ MV}$		
<b>E</b>	$\leq 0 \text{ °C}: 0.45 \text{ K} + 0.3 \% \text{ IMVI}$ $\geq 0 \text{ °C}: 0.45 \text{ K} + 0.045 \% \text{ MV}$		
<b>C</b>	$\leq 1,000 \text{ °C}: 2.2 \text{ K} + 0 \% \text{ IMVI}$ $\geq 1,000 \text{ °C}: 2.2 \text{ K} + 0.175 \% \text{ MV} - 1,000$		
<b>A</b>	$\leq 1,000 \text{ °C}: 2.4 \text{ K} + 0 \% \text{ IMVI}$ $\geq 1,000 \text{ °C}: 2.4 \text{ K} + 0.175 \% \text{ MW} - 1,000$		
<b>L</b>	$\leq 0 \text{ °C}: 0.45 \text{ K} + 0.15 \% \text{ IMVI}$ $\geq 0 \text{ °C}: 0.45 \text{ K} + 0.045 \% \text{ MV}$		
<b>Lru</b>	$\leq 0 \text{ °C}: 0.45 \text{ K} + 0.15 \% \text{ IMVI}$ $\geq 0 \text{ °C}: 0.45 \text{ K} + 0.045 \% \text{ MV}$		
<b>Cold junction</b>	$\leq \pm 1.5 \text{ K}$		
<b>Output measuring deviation (DA converter)</b>	0.045 % of the MS	0.06 % of the MS	0.1 % of the MS
<b>Influence of power supply every 1 V voltage change from <math>U_{i,\text{ref}}</math></b>	$\pm 0.005 \%$ of the MS		

MV = measured value  
MS = measuring span

<sup>1)</sup> In the event of interference caused by high-frequency electromagnetic fields in a frequency range from 80 to 400 MHz, an increased measuring deviation of up to 0.8 % is expected. During transient interferences (e.g. burst, surge, ESD) take into account an increased measuring deviation of up to 1.5 %.

## Transmitter accuracy examples

### Example 1

<b>Thermocouple type K</b> <b>Measuring range 0 ... 400 °C → span 400 K</b> <b>Ambient temperature 25 °C</b> <b>Measured value 300 °C</b>	
<b>Input</b> 300 °C > 0 °C → 0.6 K + 0.06 % x MV 0.6 K + (0.06 % x 300 °C)	<b>±0.78 K</b>
<b>Output</b> 0.045 % x 300 K	<b>±0.135 K</b>
<b>Cold junction</b> 1.5 K	<b>±1.5 K</b>
<b>Measuring deviation (typical)</b> $\sqrt{\text{input}^2 + \text{output}^2 + \text{cold junction}^2}$	<b>±1.7 K</b>
<b>Measuring deviation (maximum)</b> Input + TC <sub>input</sub> + output + cold junction	<b>±2.42 K</b>

### Example 2

<b>Thermocouple type K</b> <b>Measuring range 0 ... 600 °C → span 600 K</b> <b>Ambient temperature 45 °C</b> <b>Measured value 550 °C</b>	
<b>Input</b> 550 °C > 0 °C → 0.6 K + 0.06 % x MV 0.6 K + (0.06 % x 550 °C)	<b>±0.93 K</b>
<b>Input temperature coefficient</b> 45 °C - 26 °C = 9 K → 2 x 10 K	<b>±0.4 K</b>
<b>Output</b> 0.045 % x 600 K	<b>±0.27 K</b>
<b>Output temperature coefficient</b> 45 °C - 26 °C = 19 K → 2 x 10 K 0.06 % x 600 K x 2	<b>±0.72 K</b>
<b>Cold junction</b> 1.5 K	<b>±1.5 K</b>
<b>Cold junction temperature coefficient</b> 45 °C - 26 °C = 19 K → 2 x 10 K	<b>±4.0 K</b>
<b>Measuring deviation (typical)</b> $\sqrt{\text{input}^2 + \text{TC}_{\text{input}}^2 + \text{output}^2 + \text{TC}_{\text{output}}^2 + \text{cold junction}^2 + \text{TC}_{\text{cold junction}}^2}$	<b>±4.5 K</b>
<b>Measuring deviation (maximum)</b> Input + TC <sub>input</sub> + output + cold junction	<b>±7.8 K</b>

<b>Monitoring</b>	
<b>Sensor-break monitoring</b>	Configurable via software Default: Downscale
<b>Measuring range monitoring</b>	Monitoring of the set measuring range for upper/lower deviations configurable Default: Deactivated
<b>Drag pointer (internal temperature of the electronics)</b>	Stores the maximum ambient temperature (no reset possible)

<b>Case</b>	<b>T16.H head mounting version</b>	<b>T16.R rail mounting version</b>
<b>Material</b>	Plastic PBT, glass-fibre reinforced	Plastic
<b>Weight</b>	approx. 50 g	approx. 0.2 kg
<b>Ingress protection</b>	IP00 (Electronics completely potted)	IP20
<b>Connection terminals, captive screws, wire cross-section</b>		
■ Solid wire	0.14 ... 2.5 mm <sup>2</sup> (24 ... 14 AWG)	0.14 ... 2.5 mm <sup>2</sup> (24 ... 14 AWG)
■ Stranded wire with end splice	0.14 ... 1.5 mm <sup>2</sup> (24 ... 16 AWG)	0.14 ... 2.5 mm <sup>2</sup> (24 ... 14 AWG)
<b>Recommended screwdriver to use</b>	Cross head ('Pozidrive' tip), size 2 (ISO 8764)	Slotted, 3 x 0.5 mm (ISO 2380)
<b>Recommended tightening torque</b>	0.5 Nm	0.5 Nm

Ambient conditions	
<b>Permissible ambient temperature range</b>	{-50} -40 ... +85 {+105} °C {-58} -40 ... +185 {+221} °F
<b>Climate class</b> per IEC 654-1:1993	Cx (-40 ... +85 °C, 5 ... 95 % r. h.)
<b>Maximum permissible humidity</b> ■ Model T16.H per IEC 60068-2-38:2009 ■ Model T16.R per IEC 60068-2-30:2005	Test max. temperature variation 65 °C / -10 °C, 93 % ±3 % r. h. Test max. temperature 55 °C, 95 % r. h.
<b>Vibration resistance</b> per IEC 60068-2-6:2008	Test Fc: 10 ... 2,000 Hz; 10 g, amplitude 0.75 mm
<b>Shock resistance</b> per IEC 68-2-27:2009	Acceleration / Shock width Model T16.H: 100 g / 6 ms Model T16.R: 30 g / 11 ms
<b>Salt fog</b> per IEC 68-2-52:1996, IEC 60068-2-52:1996	Severity level 1
<b>Condensation</b>	Model T16.H: Acceptable Model T16.R: Acceptable in vertical mounting position
<b>Free fall</b> in line with IEC 60721-3-2:1997, DIN EN 60721-3-2:1998	Drop height 1.5 m
<b>Electromagnetic compatibility (EMC) <sup>1)</sup></b> per DIN EN 55011:2010, DIN EN 61326-2-3:2013, NAMUR NE21:2012, GL 2012 VI Part 7	Emission (group 1, class B) and interference immunity (industrial application) [HF field, HF cable, ESD, Burst, Surge]

{ } Items in curved brackets are options for an additional price, not for ATEX versions of the head mounting version and not for T16.R rail mounting version

<sup>1)</sup> In the event of interference caused by high-frequency electromagnetic fields in a frequency range from 80 to 400 MHz, an increased measuring deviation of up to 0.8 % is expected.  
During transient interferences (e.g. burst, surge, ESD) take into account an increased measuring deviation of up to 1.5 %.

## Safety-relevant characteristics (explosion-protected version)

### ■ Models T16.x-AI, T16.x-AC

#### Intrinsically safe connection values for the current loop (4 ... 20 mA)

Protection level Ex ia IIC/IIB/IIA, Ex ia IIIC or Ex ic IIC/IIB/IIA

Parameters	Models T16.x-AI, T16.x-AC	Models T16.x-AI
	Gas hazardous application	Dust hazardous application
<b>Terminals</b>	+ / -	+ / -
<b>Voltage U<sub>i</sub></b>	DC 30 V	DC 30 V
<b>Current I<sub>i</sub></b>	130 mA	130 mA
<b>Power P<sub>i</sub></b>	800 mW	750/650/550 mW
<b>Effective internal capacitance C<sub>i</sub></b>	18.4 nF	18.4 nF
<b>Effective internal inductance L<sub>i</sub></b>	800 µH	800 µH

#### Sensor circuit

Parameters	Models T16.x-AI	Model T16.x-AC
	Ex ia IIC/IIB/IIA Ex ia IIIC	Ex ic IIC/IIB/IIA
<b>Terminals</b>	1 - 2	
<b>Voltage U<sub>o</sub></b>	DC 6.6 V	
<b>Current I<sub>o</sub></b>	4 mA	
<b>Power P<sub>o</sub></b>	10 mW	
<b>Characteristics</b>	Linear	

Due to distance requirements of the applied standards, the IS power and signal circuit as well as the IS sensor circuit shall be considered as being galvanically connected to each other.

The intrinsically safe supply and signal circuit as well as the intrinsically safe sensor circuit must be considered as galvanically connected to each other (with regard to explosion protection).

### Ambient temperature range

Application	Ambient temperature range	Temperature class	Power $P_i$
Group II	$-40\text{ °C} \leq T_a \leq +85\text{ °C}$	T4	800 mW
	$-40\text{ °C} \leq T_a \leq +70\text{ °C}$	T5	800 mW
	$-40\text{ °C} \leq T_a \leq +55\text{ °C}$	T6	800 mW
Group IIIC	$-40\text{ °C} \leq T_a \leq +40\text{ °C}$	N / A	750 mW
	$-40\text{ °C} \leq T_a \leq +75\text{ °C}$	N / A	650 mW
	$-40\text{ °C} \leq T_a \leq +100\text{ °C}$	N / A	550 mW

N / A = not applicable

Comments:

$U_o$ : Maximum voltage of any conductor against the other three conductors

$I_o$ : Maximum output current for the least favourable connection of the internal current limiting resistors

$P_o$ :  $U_o \times I_o$  divided by 4 (linear characteristic)

### ■ Models T16.x-AN, T16.x-AE

#### Power and signal circuit (4 ... 20 mA loop)

Protection level Ex nA IIC/IIB/IIA

Parameters	Models T16.x-AN, T16.x-AE
	Gas hazardous application
Terminals	+ / -
Voltage $U_i$	DC 35 V
Current $I_i$	21.5 mA

#### Sensor circuit

Protection level Ex nA IIC/IIB/IIA

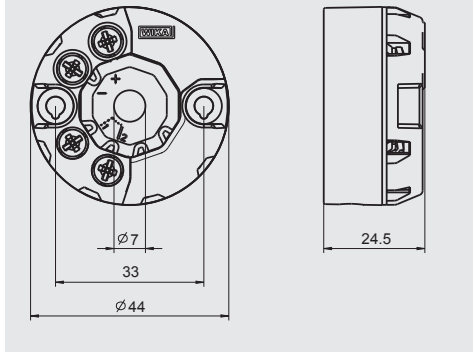
Parameters	Models T16.x-AN, T16.x-AE
Terminals	1 - 2
Power $P_o$	2.575 V x 0.1 mA → 0.256 mW DC 2.575 V 0.1 mA

### Ambient temperature range

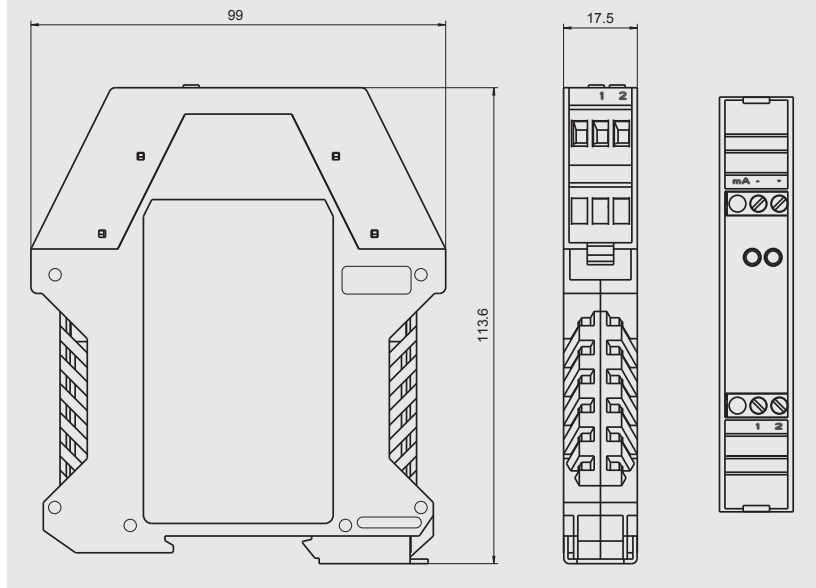
Application	Ambient temperature range	Temperature class
Group II	$-40\text{ °C} \leq T_a \leq +85\text{ °C}$	T4
	$-40\text{ °C} \leq T_a \leq +70\text{ °C}$	T5
	$-40\text{ °C} \leq T_a \leq +55\text{ °C}$	T6

## Dimensions in mm

Head mounting version, model T16.H



Rail mounting version, model T16.R



The dimensions of the head-mounted transmitter match the form B DIN connection heads with extended mounting space, e.g. WIKA model BSZ.

The transmitters in rail mounting cases are suitable for all standard rails in accordance with IEC 60715.

## Connecting the PU-448 programming unit

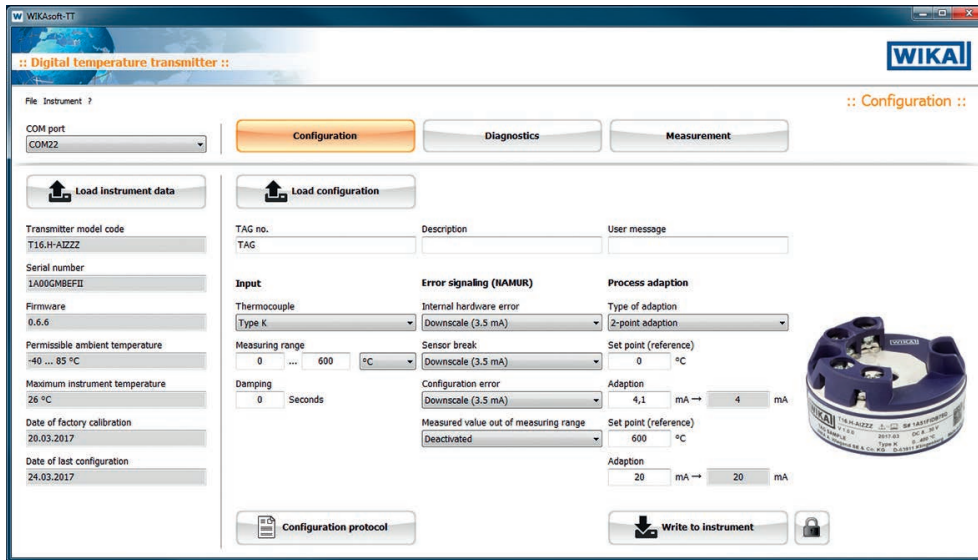


### Attention:

For direct communication via the USB interface of a PC/notebook, a model PU-448 programming unit is needed (see "Accessories").



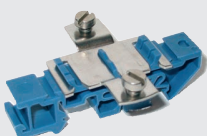


# Configuration software WIKAsoft-TT







## Accessories

WIKA configuration software: Free download from [www.wika.com](http://www.wika.com)

Model	Version	Order number
<b>Programming unit</b> <b>Model PU-448</b> 	<ul style="list-style-type: none"> <li>■ Easy to use</li> <li>■ LED status/diagnostic displays</li> <li>■ Compact design</li> <li>■ No further voltage supply is needed for either the programming unit or for the transmitter</li> <li>■ 2 mm banana plug</li> <li>■ Incl. 1 model magWIK magnetic quick connector</li> </ul>	11606304
<b>Magnetic quick connector</b> <b>magWIK</b> 	<ul style="list-style-type: none"> <li>■ Replacement for fine alligator clips and HART® terminals</li> <li>■ Fast, safe and tight electrical connection</li> <li>■ For all configuration and calibration processes</li> <li>■ 2 mm socket</li> <li>■ Incl. 2 adapters (2 mm to 4 mm socket)</li> </ul>	14026893
<b>Adapter</b> 	<ul style="list-style-type: none"> <li>■ Suitable for TS 35 per DIN EN 60715 (DIN EN 50022) or TS 32 per DIN EN 50035</li> <li>■ Material: Plastic / stainless steel</li> <li>■ Dimensions: 60 x 20 x 41.6 mm</li> </ul>	3593789

## Approvals

Logo	Description	Country
 	<b>EU declaration of conformity</b> <ul style="list-style-type: none"><li>■ EMC directive EN 61326 emission (group 1, class B) and interference immunity (industrial application)</li><li>■ RoHS directive</li><li>■ ATEX directive (option) Hazardous areas</li></ul>	European Community
 	<b>IECEX (option)</b> Hazardous areas	IECEX member states

## Manufacturer's information and certifications

Logo	Description
-	China RoHS directive

## Certificates (option)

- 2.2 test report
- 3.1 inspection certificate

Approvals and certificates, see website

## Ordering information

Model / Explosion protection / Additional approvals / Permissible ambient temperature / Configuration / Certificates / Options

© 03/2017 WIKA Alexander Wiegand SE & Co. KG, all rights reserved.  
The specifications given in this document represent the state of engineering at the time of publishing.  
We reserve the right to make modifications to the specifications and materials.



**WIKAL Alexander Wiegand SE & Co. KG**  
Alexander-Wiegand-Straße 30  
63911 Klingenberg/Germany  
Tel. +49 9372 132-0  
Fax +49 9372 132-406  
info@wika.de  
www.wika.de