

# Rosemount 2088 Absolute and Gage Pressure Transmitter



- Performance of 0.065% with High Accuracy option
- Lightweight, compact design for cost-effective installation
- Protocols available include 4-20 mA HART® and 1-5 Vdc HART Low Power
- Absolute and gage pressure ranges up to 4,000 psi (276 bar)
- Rangeability of 50:1

# Rosemount 2088 Pressure Transmitter Product Offering

## Proven reliability for gage and absolute applications



- Available protocols include 4-20 mA HART and 1-5 Vdc HART Low Power
- Fully configurable LCD display to display process variable, percent of range, and diagnostic messages
- Lightweight, compact design enables easy installation
- Choice of Stainless Steel or Alloy C-276 wetted materials

## Unlock the value of devices with the Smart Wireless THUM™ Adapter



- Gain access to field intelligence and improve quality, safety, availability, operations, and maintenance costs
- Remotely manage devices and monitor health
- Enable new wireless measurement points
- Utilize existing loop power

## Proven, reliable, and innovative DP Level technologies



- Connect to virtually any process with a comprehensive offering of process connections, fill fluids, direct mount or capillary connections and materials
- Quantify and optimize total system performance with QZ option

## Instrument manifolds – quality, convenient, and easy



- Designed and engineered for optimal performance with Rosemount transmitters
- Save installation time and money with factory assembly
- Offers a variety of styles, materials, and configurations

---

### Contents

Rosemount 2088 In-Line Pressure Transmitter .....	3	Product Certifications .....	10
Specifications .....	7	Dimensional Drawings .....	15

# Rosemount 2088 In-Line Pressure Transmitter



Configuration	Transmitter output code
4-20 mA HART 2088 with Selectable HART	S
1-5 Vdc Low Power 2088 with Selectable HART	N

## Additional information

[Specifications : page 7](#)

[Product Certifications : page 10](#)

[Dimensional Drawings : page 15](#)

## Ordering information

Specification and selection of product materials, options, or components must be made by the purchaser of the equipment. See [page 9](#) for more information on Material Selection.

**Table 1. Rosemount 2088 Pressure Transmitter Ordering Information**

★ The Standard offering represents the most common options. The starred options (★) should be selected for best delivery.  
The Expanded offering is manufactured after receipt of order and is subject to additional delivery lead time.

Model	Product description			
2088	Pressure Transmitter			★
Code	Measurement type			
A	Absolute			★
G	Gage			★
Code	Pressure ranges			
	<b>2088G</b>	<b>2088A</b>		
1	-14.7 to 30 psi /(-1,01 to 2,1 bar)	0 to 30 psi (0 to 2,1 bar)		★
2	-14.7 to 150 psi (-1,01 to 10,3 bar)	0 to 150 psi (0 to 10,3 bar)		★
3	-14.7 to 800 psi (-1,01 to 55,2 bar)	0 to 800 psi (0 to 55,2 bar)		★
4	-14.7 to 4,000 psi (-1,01 to 275,8 bar)	0 to 4,000 psi (0 to 275,8 bar)		★
Code	Transmitter output			
S <sup>(1)</sup>	4–20 mA dc/Digital HART Protocol			★
N <sup>(1)</sup>	1-5 Vdc Low Power/Digital HART protocol			★
Code	Materials of construction			
	Process connection	Isolating diaphragm	Fill fluid	
22 <sup>(2)</sup>	316L SST	316L SST	Silicone	★
33 <sup>(2)</sup>	Alloy C-276	Alloy C-276	Silicone	★
2B <sup>(2)</sup>	316L SST	316L SST	Inert	

**Table 1. Rosemount 2088 Pressure Transmitter Ordering Information**

★ The Standard offering represents the most common options. The starred options (★) should be selected for best delivery.

The Expanded offering is manufactured after receipt of order and is subject to additional delivery lead time.

Code	Process connection	
A	½–14 NPT Female	★
B <sup>(3)</sup>	DIN 16288 G ½ Male	★
D <sup>(3)(4)</sup>	M20 × 1.5 Male	★
C <sup>(3)(4)</sup>	RC ½ Female	
Code	Conduit entry	
1	½–14 NPT	★
2 <sup>(3)</sup>	M20 × 1.5	★
4 <sup>(3)</sup>	G ½	

### Options (Include with selected model number)

Extended product warranty		
WR3	3-year limited warranty	★
WR5	5-year limited warranty	★
Diaphragm seal assemblies		
S1 <sup>(5)(6)</sup>	Assemble to one Rosemount 1199 Diaphragm Seal	★
Display and interface		
M4	LCD Display with Local Operator Interface	★
M5	LCD Display, configured for Engineering Units	★
Configuration buttons		
D4	Analog Zero and Span	★
DZ	Digital Zero Trim	★
Mounting brackets		
B4	SST mounting bracket with SST Bolts	★
Product certifications		
C6	CSA Explosion-Proof, Dust-ignition-proof, Intrinsic Safe, and NonIncendive	★
E2	INMETRO Flameproof	★
E3	China Flameproof	★
E4 <sup>(3)(7)</sup>	TIIS Flameproof	★
E5	FM Explosion-Proof (XP) and Dust Ignition-proof (DIP)	★
E7	IECEx Flameproof	★
ED	ATEX Flameproof	★
EM	Technical Regulations Customs Union (EAC) Flameproof	★
I1 <sup>(3)</sup>	ATEX Intrinsic Safety	★
I2	INMETRO Intrinsic Safety	★

**Table 1. Rosemount 2088 Pressure Transmitter Ordering Information**

★ The Standard offering represents the most common options. The starred options (★) should be selected for best delivery.

The Expanded offering is manufactured after receipt of order and is subject to additional delivery lead time.

<b>Product certifications</b>		
I3	China Intrinsic Safety	★
I5	FM Intrinsically safe (IS) and Nonincendive	★
I7	IECEX Intrinsic Safety	★
IM	Technical Regulation Customs Union (EAC) Intrinsic Safety	★
K1	ATEX Flameproof, Intrinsic Safety, Type n, Dust	★
K2	INMETRO Flameproof, Intrinsic Safety	★
K5	FM Explosion-Proof, Dust Ignition-proof, Intrinsically Safe, Division 2	★
K6 <sup>(3)</sup>	ATEX and CSA Explosion-Proof, Dust Ignition-proof, Intrinsically Safe, Division 2	★
K7	IECEX Flameproof, Intrinsic Safety, Type n, Dust	★
KB	FM and CSA Explosion-Proof, Dust Ignition-proof, Intrinsically Safe, Division 2	★
KM	Technical Regulation Customs Union (EAC) Flameproof and Intrinsic Safety	★
KH <sup>(3)</sup>	FM Approvals and ATEX Explosion-Proof and Intrinsically Safe	★
N1 <sup>(3)</sup>	ATEX Type n	★
N3	China Type n	★
N7	IECEX Type n	★
ND <sup>(3)</sup>	ATEX Dust	★
NK	IECEX Dust	★
<b>Shipboard approvals</b>		
SBS	American Bureau of Shipping (ABS) Type Approval	★
SBV	Bureau Veritas (BV) Type Approval	★
SDN	Det Norske Veritas (DNV) Type Approval	★
SLL	Lloyd's Register (LR) Type Approval	★
<b>Pressure testing</b>		
P1	Hydrostatic testing	
<b>Terminal blocks</b>		
T1	Transient protection	★
<b>Special cleaning</b>		
P2	Cleaning for special service	
<b>Calibration certificate</b>		
Q4	Calibration certificate	★
<b>Quality calibration certificate traceability certification</b>		
Q8	Material Traceability Certification per EN 10204 3.1	★
Q15	Certificate of Compliance to NACE <sup>®</sup> MR0175/ISO 15156 for wetted materials	★
Q25	Certificate of Compliance to NACE MR0103 for wetted materials	★

**Table 1. Rosemount 2088 Pressure Transmitter Ordering Information**

★ The Standard offering represents the most common options. The starred options (★) should be selected for best delivery.

The Expanded offering is manufactured after receipt of order and is subject to additional delivery lead time.

<b>Digital signal</b>		
C4 <sup>(3)</sup>	NAMUR alarm and saturation levels, high alarm	★
CN <sup>(3)</sup>	NAMUR alarm and saturation levels, low alarm	★
C5 <sup>(8)(9)</sup>	Custom alarm and saturation levels, high alarm, (requires C9 and Configuration Data Sheet)	★
C7 <sup>(8)(9)</sup>	Custom alarm and saturation levels, low alarm (requires C9 and Configuration Data Sheet)	★
C8 <sup>(9)</sup>	Low alarm (Standard Rosemount Alarm and Saturation Levels)	★
<b>Configuration</b>		
C9	Software configuration	★
<b>Manifold assemblies</b>		
S5 <sup>(5)(6)</sup>	Assemble to Rosemount 306 integral manifold	★
<b>Calibration accuracy</b>		
P8 <sup>(10)</sup>	0.065% accuracy to 10:1 turndown	★
<b>Water approval</b>		
DW <sup>(11)</sup>	NSF drinking water approval	★
<b>Surface finish</b>		
Q16	Surface finish certification for sanitary remote seals	★
<b>Toolkit total system performance reports</b>		
QZ	Remote Seal System Performance Calculation Report	★
<b>HART Revision configuration</b>		
HR 5 <sup>(9)(12)</sup>	Configured for HART Revision 5	★
HR7 <sup>(9)(13)</sup>	Configured for HART Revision 7	★
<b>Typical model number: 2088 G 2 S 22 A 1 B4 M5</b>		

(1) HART Revision 5 is the default HART output. The 2088 with selectable HART can be factory or field configured to HART Revision 7. To order HART Revision 7 factory configured, add option code HR7.

(2) Materials of Construction comply with recommendations per NACE MR0175/ISO 15156 for sour oil field production environments. Environmental limits apply to certain materials. Consult latest standard for details. Selected materials also conform to NACE MR0103 for sour refining environments.

(3) Not available with low-power Transmitter Output code N.

(4) Not available with Alloy C-276, Material of Construction code 33.

(5) Use 1/2 - 14 NPT Female Process Connection code A.

(6) "Assemble-to" items are specified separately and require a completed model number.

(7) Only available with Conduit Thread code 4.

(8) Only available with 4-20 mA HART Output (Output Code A).

(9) Select Configuration Buttons (option code D4 or DZ) or Local Operator Interface (option code M4) if local configuration buttons are required.

(10) Requires Transmitter Output code S with either Materials of Construction code 22 or 23.

(11) Requires Materials of Construction code 22 with Process Connection code A.

(12) Configures the HART output to HART Revision 5. The device can be field configured to HART Revision 7 if needed.

(13) Configures the HART output to HART Revision 7. The device can be field configured to HART Revision 5 if needed.

# Specifications

## Performance specifications

For zero-based spans, reference conditions, silicone oil fill, 316L SST isolating diaphragm.

### Reference accuracy

±0.075% of calibrated span. Includes combined effects of linearity, hysteresis, and repeatability

±0.065% of calibrated span (high accuracy option - P8)

For spans less than 10:1, accuracy =  $\pm \left[ 0.009 \left( \frac{URL}{Span} \right) \right]$  % of Span

### Ambient temperature effect

Expressed as a total effect per 50 °F (28 °C)

Total effect includes zero and span effects.

± (0.15% URL + 0.15% of span)

### Stability

Ranges 2-4: ±0.10% of URL for 3 years

Range 1: ±0.10% of URL for 1 year

### Vibration effect

Less than ±0.1% of URL when tested per the requirements of IEC60770-1 field or pipeline with high vibration level (10 - 60 Hz 0.21 mm displacement peak amplitude / 60 - 2000 Hz 3g).

### Power supply effect

Less than ±0.005% of calibrated span per volt change in voltage at the transmitter terminals.

### Mounting position effect

Zero shifts to ±2.5 inH<sub>2</sub>O (6,22 mbar), which can be zeroed

Span: no effect

### Transient protection

Tested in accordance with IEEE C62.41.2-2002,

Location Category B

6 kV crest (0.5 μs - 100 kHz)

3 kA crest (8 x 20 microseconds)

6 kV crest (1.2 x 50 microseconds)

### General specifications

Tested to IEC 801-3

## Functional specifications

Table 2. 2088 Range Values

Range	Minimum span	Upper (URL)	Lower (LRL)	Lower <sup>(1)</sup> (LRL) (gage)
1	0.60 psi (41,37 mbar)	30.00 psi (2,07 bar)	0 psia (0 bar)	-14.70 psig (-1,01 bar)
2	3.00 psi (206,85 mbar)	150.00 psi (10,34 bar)	0 psia (0 bar)	-14.70 psig (-1,01 bar)
3	16.00 psi (1,11 bar)	800.00 psi (55,16 bar)	0 psia (0 bar)	-14.70 psig (-1,01 bar)
4	80.00 psi (5,52 bar)	4000.00 psi (275,79 bar)	0 psia (0 bar)	-14.70 psig (-1,01 bar)

(1) Assumes atmospheric pressure of 14.70 psia (1,01 bar-a).

### Output

Code S: 4–20 mA

Code N: 1-5 Vdc, low power

(Outputs are directly proportional to the input pressure)

### Selectable HART

Digital communications based on HART Revision 5 (default) or Revision 7 (option code HR7) protocol can be selected. The HART revision can be switched in the field using any HART based configuration tool or the optional local operator interface (LOI).

### Service

Liquid, gas, and vapor applications

### Power supply

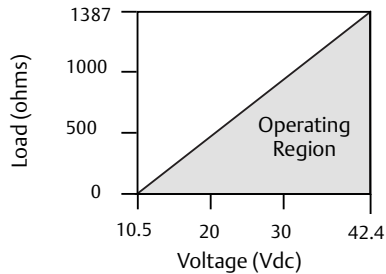
External power supply required. Transmitter operates on 10.5–42.4 Vdc with no load (5.8–28 V for Low Power). Reverse polarity protection is standard.

### Load Limitations

Reverse polarity protection is standard. Maximum loop resistance is determined by the power supply voltage as described by the following equations:

**Figure 1. Maximum Loop Resistance**

Max. Loop Resistance = 43.5 (Power Supply Voltage – 10.5)



The field communicator requires a minimum loop resistance of 250Ω for communication.

## Indication

Optional two line LCD/LOI Display.

## Zero and span adjustment requirements

Zero and span values can be set anywhere within the range limits stated in [Table 2 on page Wireless-7](#). Span must be greater than or equal to the minimum span stated in [Table 2 on page Wireless-7](#).

## Local operator interface

The LOI utilizes a 2 button menu with internal and external configuration buttons. Internal buttons are always configured for Local Operator Interface. External Buttons can be configured for either LOI, (option code M4), Analog Zero and Span (option code D4) or Digital Zero Trim (option code DZ) for LOI configuration menu.

## Current draw

Output Code N: ≤ 3 mA.

## Overpressure limits

Range 1: 120 psig max

All other ranges: two times the URL

## Burst pressure

11,000 psi for all ranges

## Zero elevation and suppression

Zero can be suppressed between atmosphere for gage transmitters or 0 psia for absolute transmitters and upper range limit, provided the calibrated span is equal to or greater than the minimum span, and the upper range value does not exceed the upper range limit.

## Dynamic performance

Total Response Time: 145 milliseconds

Update rate: 20 times per second minimum

## Temperature limits

### Ambient:

-40 to 185 °F (-40 to 85 °C)

With LCD display<sup>(1)</sup>: -40 to 176 °F (-40 to 80 °C)

### Storage<sup>(1)</sup>:

-50 to 230 °F (-46 to 110 °C)

With LCD display: -40 to 185 °F (-40 to 85 °C)

## Process

Silicone fill sensor: -40 to 250 °F (-40 to 121 °C)<sup>(2)</sup>

Inert fill sensor: -22 to 250 °F (-30 to 121 °C)<sup>(2)</sup>

Process temperatures above 185 °F (85 °C) require derating the ambient limits by a 1.5:1 ratio. For example, for process temperature of 195 °F (91 °C), new ambient temperature limit is equal to 170 °F (77 °C). This can be determined as follows: (195 °F - 185 °F) × 1.5 = 15 °F, 185 °F - 15 °F = 170 °F

## Humidity limits

0–100% relative humidity

## Volumetric displacement

Less than 0.0005 in<sup>3</sup> (0,008 cm<sup>3</sup>)

## Damping

Analog output response time to a step change is user-selectable from 0 to 60 seconds for one time constant. Software damping is in addition to sensor module response time.

## Turn-on time

2.0 seconds, no warm-up required

## Transmitter security

Activating the transmitter security function prevents changes to the transmitter configuration, including local zero and span adjustments. Security is activated by an internal switch.

(1) If storage temperature is above 85 °C, perform a sensor trim prior to installation.

(2) 220 °F (104 °C) limit in vacuum service; 130 °F (54 °C) for pressures below 0.5 psia.



## Failure mode alarm

If self-diagnostics detect a sensor or microprocessor failure, the analog signal will be driven either high or low to alert the user. High or low failure mode is user-selectable with a jumper on the transmitter. The values to which the transmitter drives its output in failure mode depend on whether it is factory-configured to *standard* or *NAMUR-compliant* operation. The values for each are as follows:

Standard operation			
Output code	Linear output	Fail high	Fail low
S	$3.9 \leq I \leq 20.8$	$I \geq 21.75 \text{ mA}$	$I \leq 3.75 \text{ mA}$
N	$0.97 \leq V \leq 5.2$	$V \geq 5.4 \text{ V}$	$V \leq 0.95 \text{ V}$

NAMUR-compliant operation			
Output code	Linear output	Fail high	Fail low
S	$3.8 \leq I \leq 20.5$	$I \geq 22.5 \text{ mA}$	$I \leq 3.6 \text{ mA}$

## Physical specifications

### Material selection

Emerson provides a variety of Rosemount product with various product options and configurations including materials of construction that can be expected to perform well in a wide range of applications. The Rosemount product information presented is intended as a guide for the purchaser to make an appropriate selection for the application. It is the purchaser's sole responsibility to make a careful analysis of all process parameters (such as all chemical components, temperature, pressure, flow rate, abrasives, contaminants, etc.), when specifying product, materials, options and components for the particular application. Emerson Process Management is not in a position to evaluate or guarantee the compatibility of the process fluid or other process parameters with the product, options, configuration or materials of construction selected.

### Electrical connections

$1/2$ -14 NPT, M20  $\times$  1.5 (CM20), or  
G  $1/2$  female (PF  $1/2$  female) conduit entry

### Process connections

$1/2$ -14 NPT female, DIN 16288 G  $1/2$  male, RC  $1/2$  female  
(PT  $1/2$  female), M20  $\times$  1.5 (CM20) male

## Process-wetted parts

### Isolating diaphragm

316L SST (UNS S31603), Alloy C-276 (UNS N10276)

### Process connector

316L stainless steel CF-3M (Cast version of 316L SST, material per ASTM\_A743) or Alloy C-276

## Non-wetted parts

### Electronics housing

Low-copper aluminum, NEMA 4X, IP65, IP67,  
CSA enclosure Type 4X

### Paint for aluminum housing

Polyurethane

### Cover O-rings

Buna-N

### Fill fluid

Silicone or inert fill

### Weight

Output Code S and N: Approximately 2.44 lb (1, 11 kg)

# Product Certifications

## European Directive Information

A copy of the EC Declaration of Conformity can be found at the end of the Quick Start Guide. The most recent revision of the EC Declaration of Conformity can be found at [www.rosemount.com](http://www.rosemount.com).

## Ordinary Location Certification from FM Approvals

### North America

- E5** FM Explosionproof (XP) and Dust-Ignition proof (DIP)  
Certificate: 1V2A8.AE  
Standards: FM Class 3600 – 1989, FM Class 3615 – 1989, FM Class 3810 – 1989  
Markings: XP CL I, DIV 1, GP B, C, D; DIP CL II, DIV 1, GP E, F, G; CL III; T5(-40 °C ≤ T<sub>a</sub> ≤ +85 °C); Factory Sealed; Type 4X
- I5** FM Intrinsic Safety (IS) and Nonincendive (NI)  
Certificate: 0V9A7.AX  
Standards: FM Class 3600 – 1998, FM Class 3610 – 2010, FM Class 3611 – 2004, FM Class 3810 – 1989  
Markings: IS CL I, DIV 1, GP A, B, C, D; CL II, DIV 1, GP E, F, G; Class III; DIV 1 when connected per Rosemount drawing 02088-1018; NI CL 1, DIV 2, GP A, B, C, D; T4(-40 °C ≤ T<sub>a</sub> ≤ +70 °C); Type 4x

#### Special Condition for Safe Use (X):

1. The Model 2088 Transmitter with the transient terminal block (Option code T1) will not pass the 500 Vrms dielectric strength test and this must be taken into account during installation.
- C6** CSA Explosionproof, Dust-Ignitionproof, Intrinsic Safety and Nonincendive  
Certificate: 1015441  
Standards: ANSI/ISA 12.27.01-2003, CSA Std. C22.2 No. 30 -M1986, CSA Std. C22.2 No.142-M1987, CSA Std. C22.2. No.157-92, CSA Std. C22.2 No. 213 - M1987  
Markings: Explosionproof for Class I, Division 1, Groups B, C and D; Dust-Ignitionproof Class II, Division 1, Groups E, F, G; Class III Division 1; Intrinsically Safe Class I, Division 1 Groups A, B, C, D when connected in accordance with Rosemount drawing 02088-1024, Temperature Code T3C; Class I Division 2 Groups A, B, C and D; Type 4X; Factory Sealed; Single Seal

## Europe

- ED** ATEX Flameproof  
Certificate: KEMA97ATEX2378X  
Standards: EN60079-0:2006, EN60079-1:2007, EN60079-26:2007  
Markings: Ⓜ II 1/2 G Ex d IIC T6/T4, T6(-40 °C ≤ T<sub>a</sub> ≤ +40 °C), T4(-40 °C ≤ T<sub>a</sub> ≤ +80 °C)

#### Special Conditions for Safe Use (X):

1. This device contains a thin wall diaphragm. Installation, maintenance and use shall take into account the environmental conditions to which the diaphragm will be subjected. The manufacturer’s instructions for installation and maintenance shall be followed in detail to assure safety during its expected lifetime.
  2. For information on the dimensions of the flameproof joints the manufacturer shall be contacted.
- I1** ATEX Intrinsic Safety  
Certificate: BAS00ATEX1166X  
Standards: EN60079-0:2012, EN60079-11:2012  
Markings: Ⓜ II 1 G Ex ia IIC T5/T4 Ga, T5(-55 °C ≤ T<sub>a</sub> ≤ +40 °C), T4(-55 °C ≤ T<sub>a</sub> ≤ +70 °C)

**Table 3. Input Parameters**

	HART
<b>Voltage U<sub>i</sub></b>	30 V
<b>Current I<sub>i</sub></b>	200 mA
<b>Power P<sub>i</sub></b>	0.9 W
<b>Capacitance C<sub>i</sub></b>	0.012 μF
<b>Inductance L<sub>i</sub></b>	0 mH

#### Special Condition For Safe Use (X):

1. The apparatus is not capable of withstanding the 500V insulation test required by EN60079-11. This must be taken into account when installing the apparatus.
- N1** ATEX Type n  
Certificate: BAS00ATEX3167X  
Standards: EN60079-0:2012, EN60079-15:2010  
Markings: Ⓜ II 3 G Ex nA IIC T5 Gc (-40 °C ≤ T<sub>a</sub> ≤ +70 °C)

#### Special Condition For Safe Use (X):

1. The apparatus is not capable of withstanding the 500 V insulation test required by EN60079-15. This must be taken into account when installing the apparatus.

**ND** ATEX Dust  
 Certificate: BAS01ATEX1427X  
 Standards: EN60079-0:2012, EN60079-31:2009  
 Markings: Ex t IIC T50 °C T<sub>500</sub> 60 °C Da

**Special Conditions For Safe Use (X):**

1. The user must ensure that the maximum rated voltage and current (36 volts, 24 milliamps, d.c.) are not exceeded. All connection to other apparatus or associated apparatus shall have control over this voltage and current to a category 'ib' circuit.
2. Cable entries must be used which maintain the ingress protection of the enclosure to at least IP66.
3. Unused cable entries must be filled with suitable blanking plugs which maintain the ingress protection of the enclosure to at least IP66.
4. Cable entries and blanking plugs must be suitable for the ambient range of the apparatus and capable of withstanding a 7J impact test.
5. The 2088/2090 sensor module must be securely screwed in place to maintain the ingress protection of the enclosure.

**International**

**E7** IECEx Flameproof  
 Certificate: IECEx KEM 06.0021X  
 Standards: IEC60079-0:2004, IEC60079-1:2003, IEC60079-26:2004,  
 Markings: Ex d IIC T4...T6, T6(-20 °C ≤ T<sub>a</sub> ≤ +40 °C), T4(-20 °C ≤ T<sub>a</sub> ≤ +80 °C)

**Special Condition For Safe Use (x):**

1. The material of the diaphragm shall not be subjected to environmental conditions that might adversely affect the partition wall.

**I7** IECEx Intrinsic Safety  
 Certificate: IECEx BAS 12.0071X  
 Standards: IEC60079-0:2011, IEC60079-11:2011  
 Markings: Ex ia IIC T5 Ga, T5(-55 °C ≤ T<sub>a</sub> ≤ +40 °C), T4(-55 °C ≤ T<sub>a</sub> ≤ +70 °C)

**Table 4. Entity Parameters**

	HART
<b>Voltage U<sub>i</sub></b>	30 V
<b>Current I<sub>i</sub></b>	200 mA
<b>Power P<sub>i</sub></b>	0.9 W
<b>Capacitance C<sub>i</sub></b>	0.012 μF
<b>Inductance L<sub>i</sub></b>	0 mH

**Special Conditions for Safe Use (X):**

1. When fitted with a transient suppression terminal block, the Model 2088 is incapable of passing the 500 V isolation test. This must be taken into account during installation.
2. The enclosure may be made of aluminum alloy and given a protective polyurethane paint finish; however, care should be taken to protect it from impact or abrasion if located in a Zone 0 environment.

**N7** IECEx Type n  
 Certificate: IECEx BAS 12.0072X  
 Standards: IEC60079-0:2011, IEC60079-15:2010  
 Markings: Ex nA IIC T5 Gc (-40 °C ≤ T<sub>a</sub> ≤ +70 °C)

**Special Condition for Safe Use (X):**

1. When fitted with a transient suppression terminal block, the Model 2088 is incapable of passing the 500V isolation test. This must be taking into account during installation.

**NK** IECEx Dust  
 Certificate: IECEx BAS12.0073X  
 Standards: IEC60079-0:2011, IEC60079-31: 2008  
 Markings: Ex t IIC T50 °C T<sub>500</sub> 60 °C Da

**Special Conditions For Safe Use (x):**

1. Cable entries must be used which maintain the ingress protection of the enclosure to at least IP66.
2. Unused cable entries must be filled with suitable blanking plugs which maintain the ingress protection of the enclosure to at least IP66.
3. Cable entries and blanking plugs must be suitable for the ambient range of the apparatus and capable of withstanding a 7J impact.

**Brazil**

**E2** INMETRO Flameproof  
 Certificate.: CEPEL 97.0076  
 Standards: ABNT NBR IEC60079-0:2008, ABNT NBR IEC60079-1:2009, ABNT NBR IEC60529: 2009  
 Markings: Ex d IIC T6/T5 Gb, T6 (-20 °C ≤ T<sub>a</sub> ≤ +40 °C); T5 (-20 °C ≤ T<sub>a</sub> ≤ +60 °C)

**I2** INMETRO Intrinsic Safety  
 Certificate: UL-BR 13.0246X  
 Standards: ABNT NBR IEC60079-0:2008 + Errata 1:2011, ABNT NBR IEC60079-11:2009  
 Markings: HART: Ex ia IIC T5/T4 Ga, T5(-55 °C ≤ T<sub>a</sub> ≤ +40 °C); T4 (-55 °C ≤ T<sub>a</sub> ≤ +70 °C)

**Table 5. Input Parameters**

	HART
<b>Voltage <math>U_i</math></b>	30 V
<b>Current <math>I_i</math></b>	200 mA
<b>Power <math>P_i</math></b>	0.9 W
<b>Capacitance <math>C_i</math></b>	0.012 $\mu$ F
<b>Inductance <math>L_i</math></b>	0 mH

**Special Conditions For Safe Use (x):**

1. When fitted with a transient suppression terminal block, the model 2088 is incapable of passing the 500 V isolation test. This must be taken into account during installation.
2. The enclosure may be made of aluminum alloy and given a protective polyurethane paint finish; however, care should be taken to protect it from impact or abrasion if located in a zone 0 environment.

**China**

**E3** China Flameproof  
 Certificate: GYJ111062  
 Standards: GB3836.1-2000, GB3836.2-2010  
 Markings: Ex d IIC T4/T6, T6(-20 °C ≤  $T_a$  ≤ +40 °C),  
 T4(-20 °C ≤  $T_a$  ≤ +80 °C)

**Special Conditions For Safe Use (X):**

1. The ambient temperature is as follows:

$T_a$	Temperature class
-20 °C ≤ $T_a$ ≤ 80 °C	T4
-20 °C ≤ $T_a$ ≤ 40 °C	T6

2. The earth connection facility in the enclosure should be connected reliably.
3. During installation in hazardous location, cable glands, conduits, and blanking plugs, certified by state-appointed inspection bodies with Ex d IIC type of protection, should be used.
4. Obey the warning “Do not open when energized.”
5. Installation and maintenance should be done in a non-hazardous environment.
6. End user is not permitted to change any internal component.

7. During installation, use and maintenance of this product, observe the following standards:  
 GB3836.13-1997 “Electrical apparatus for explosive gas atmospheres Part 13: Repair and overhaul for apparatus used in explosive gas atmospheres”  
 GB3836.15-2000 “Electrical apparatus for explosive gas atmospheres Part 15: Electrical installations in hazardous area (other than mines)”  
 GB3836.16-2006 “Electrical apparatus for explosive gas atmospheres Part 16: Inspection and maintenance of electrical installation (other than mines)”  
 GB50257-1996 “Code for construction and acceptance of electric device for explosion atmospheres and fire hazard electrical equipment installation engineering”

**I3** China Intrinsic Safety  
 Certificate: GYJ111063X  
 Standards: GB3836.1-2000, GB3836.4-2000  
 Markings: Ex ia IIC T4/T5

**Special Conditions For Safe Use (X):**

1. This apparatus is not capable of withstanding the 500 V r.m.s. insulation test required by Clause 6.4.12 of GB3836.4-2000.
2. The ambient temperature is:

$T_a$	Temperature class
-55 °C ≤ $T_a$ ≤ 40 °C	T5
-55 °C ≤ $T_a$ ≤ 70 °C	T4

3. Intrinsically safe parameters:

	HART
<b>Voltage <math>U_i</math></b>	30 V
<b>Current <math>I_i</math></b>	200 mA
<b>Power <math>P_i</math></b>	0.9 W
<b>Capacitance <math>C_i</math></b>	0.012 $\mu$ F
<b>Inductance <math>L_i</math></b>	0 mH

4. The product should be used with Ex-certified linear associated apparatus to establish explosion protection system that can be used in explosive gas atmospheres. Wiring and terminals should comply with the instruction manual of the product and associated apparatus.
5. The cables between this product and associated apparatus should be shielded cables (the cables must have insulated shields). The shield has to be grounded reliably in a non-hazardous area.
6. End users are not permitted to change any internal components, but to settle the problem in conjunction with the manufacturer to avoid damage to the product.

- 7. During installation, use and maintenance of this product, observe the following standards:  
 GB3836.13-1997 “Electrical apparatus for explosive gas atmospheres Part 13: Repair and overhaul for apparatus used in explosive gas atmospheres”  
 GB3836.15-2000 “Electrical apparatus for explosive gas atmospheres Part 15: Electrical installations in hazardous area (other than mines)”  
 GB3836.16-2006 “Electrical apparatus for explosive gas atmospheres Part 16: Inspection and maintenance of electrical installation (other than mines)”  
 GB50257-1996 “Code for construction and acceptance of electric device for explosion atmospheres and fire hazard electrical equipment installation engineering”

**N3** China Type n  
 Certificate.: GYJ101126X  
 Standards: GB3836.1-2000, GB3836. 8-2003  
 Markings: Ex nA nL IIC T5 (-40 °C ≤ T<sub>a</sub> ≤ +70 °C)

**Special Conditions For Safe Use (X):**

- 1. The apparatus is not capable of withstanding the 500V r.m.s. insulation test required by Clause 6.4.12 of GB3836.4-2000.
- 2. The ambient temperature range is -40 °C ≤ T<sub>a</sub> ≤ +70 °C.
- 3. Maximum input voltage: 50 V.
- 4. Cable glands, conduit or blanking plugs, certified by NEPSI with Ex e or Ex n protection types should be used on external connections and redundant cable entries.
- 5. Maintenance should be done in non-hazardous location.
- 6. End users are not permitted to change any internal components, but to settle the problem in conjunction with manufacturer to avoid damage to the product.
- 7. During installation, use and maintenance of this product, observe the following standards:  
 GB3836.13-1997 “Electrical apparatus for explosive gas atmospheres Part 13: Repair and overhaul for apparatus used in explosive gas atmospheres”  
 GB3836.15-2000 “Electrical apparatus for explosive gas atmospheres Part 15: Electrical installations in hazardous area (other than mines)”  
 GB3836.16-2006 “Electrical apparatus for explosive gas atmospheres Part 16: Inspection and maintenance of electrical installation (other than mines)”  
 GB50257-1996 “Code for construction and acceptance of electric device for explosion atmospheres and fire hazard electrical equipment installation engineering”

**Japan**

**E4** Japan Flameproof  
 Certificate: TC15871, TC15872, TC15873, TC15874  
 Markings: Ex d IIC T6

**Technical Regulations Customs Union (EAC)**

**EM, IM, KM** Contact an Emerson Process Management representative for additional information

**Combinations**

- K1** Combination of ED, I1, ND, and N1
- K2** Combination of E2 and I2
- K5** Combination of E5 and I5
- K6** Combination of C6, ED, and I1
- K7** Combination of E7, I7, NK, and N7
- KB** Combination of K5 and C6
- KH** Combination of ED, I1, K5

**Conduit Plugs and Adapters**

IECEx Flameproof and Increased Safety  
 Certificate: IECEx FMG 13.0032X  
 Standards: IEC60079-0:2011, IEC60079-1:2007, IEC60079-7:2006-2007  
 Markings: Ex de IIC Gb

ATEX Flameproof and Increased Safety  
 Certificate: FM13ATEX0076X  
 Standards: EN60079-0:2012, EN60079-1:2007, IEC60079-7:2007  
 Markings: Ex II 2 G Ex de IIC Gb

**Table 6. Conduit Plug Thread Sizes**

Thread	Identification mark
M20 x 1.5	M20
½ - 14 NPT	½ NPT
G½A	G½

**Table 7. Thread Adapter Thread Sizes**

Male thread	Identification mark
M20 x 1.5 – 6H	M20
½ - 14 NPT	½ - 14 NPT
¾ - 14 NPT	¾ - 14 NPT
Female thread	Identification mark
M20 x 1.5 – 6H	M20
½ - 14 NPT	½ - 14 NPT
PG 13.5	PG 13.5

**Special Conditions For Safe Use (X):**

1. When the thread adapter or blanking plug is used with an enclosure in type of protection increased safety “e” the entry thread shall be suitably sealed in order to maintain the ingress protection rating (IP) of the enclosure.
2. The blanking plug shall not be used with an adapter.
3. Blanking Plug and Threaded Adapter shall be either NPT or Metric thread forms. G½ and PG 13.5 thread forms are only acceptable for existing (legacy) equipment installations.

**Additional Certifications**

**SBS** American Bureau of Shipping (ABS) Type Approval  
 Certificate: 09-HS446883A-PDA  
 Intended Use: Measure gauge or absolute pressure of liquid, gas or vapor applications on ABS classed vessels, marine, and offshore installations.  
 ABS Rules: 2009 Steel Vessels Rules 1-1-4/7.7, 4-6-2/5.15, 4-8-3/13.1

**SBV** Bureau Veritas (BV) Type Approval  
 Certificate: 23156/A2 BV  
 Requirements: Bureau Veritas Rules for the Classification of Steel Ships  
 Application: Class notations: AUT-UMS, AUT-CCS, AUT-PORT and AUT-IMS; Pressure transmitter type 2088 cannot be installed on diesel engines

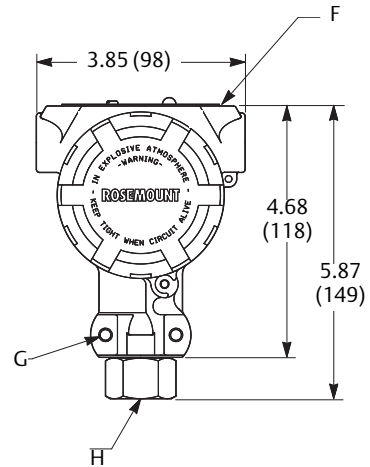
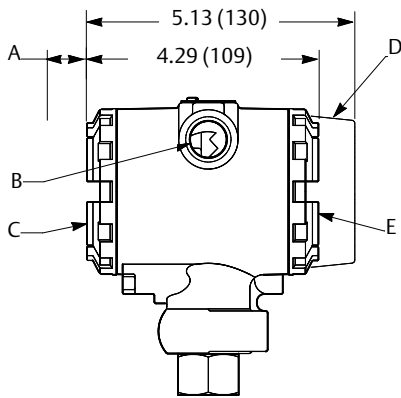
**SDN** Det Norske Veritas (DNV) Type Approval  
 Certificate: A-13245  
 Intended Use: Det Norske Veritas’ Rules for Classification of Ships, High Speed & Light Craft and Det Norske Veritas’ Offshore Standards Application:

Location classes	
Type	3051
Temperature	D
Humidity	B
Vibration	A
EMC	B
Enclosure	D

**SLL** Lloyds Register (LR) Type Approval  
 Certificate: 11/60002  
 Application: Environmental categories ENV1, ENV2, ENV2 and ENV5

# Dimensional Drawings

Figure 2. Rosewire 2088

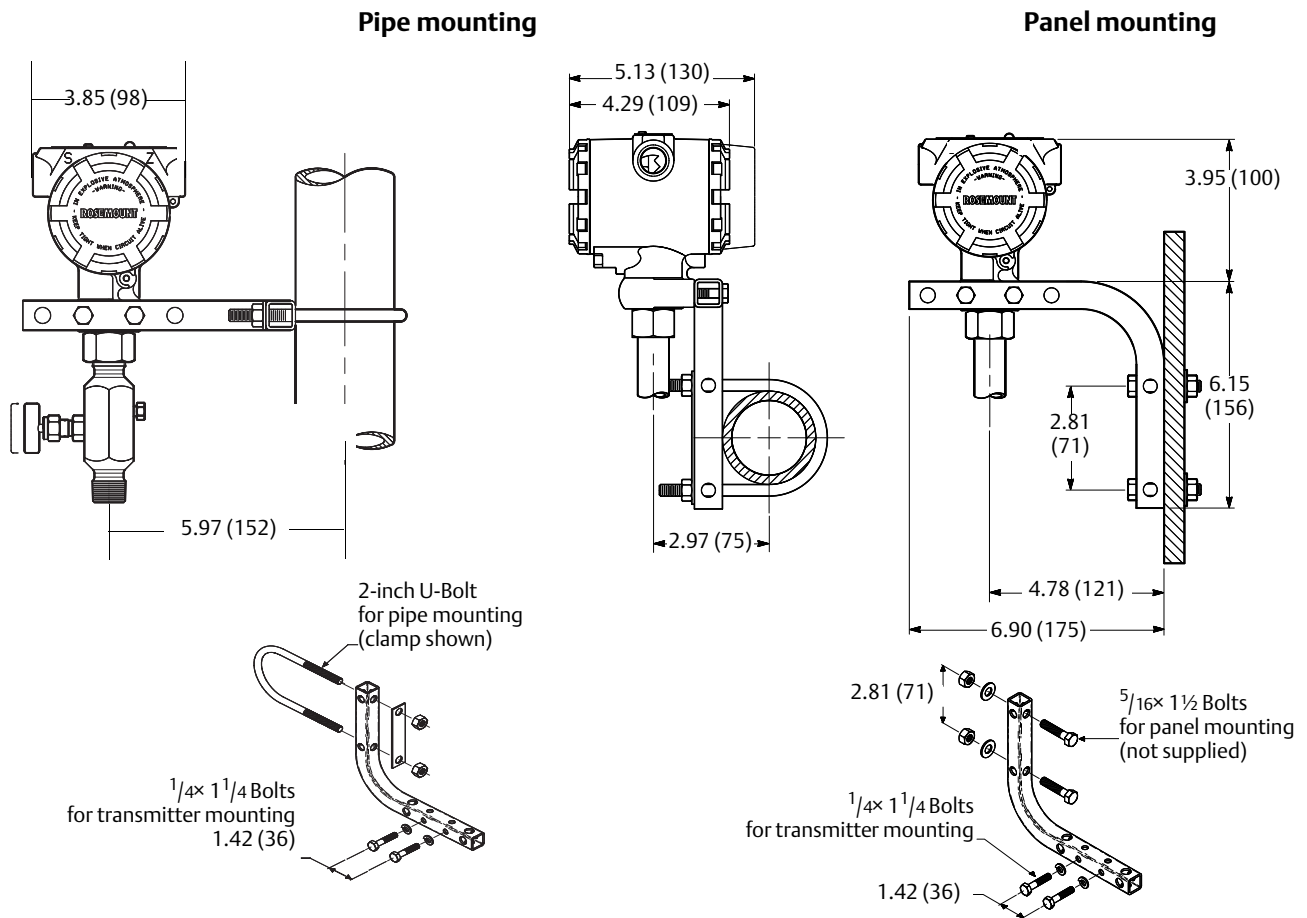


- A. 0.75 (20) clearance for cover removal
- B. 2 × ½-14 NPT conduit connection<sup>(1)</sup>
- C. Terminal connections
- D. Optional display Cover
- E. Transmitter circuitry

- F. Certifications tag
- G. 2 × ¼-20 UNC-2B mounting holes
- H. ½-14 NPT female process connection  
(See ordering table for other options.)

(1) M20 × 1.5 Female (CM20), PG 13.5, and G 1/2 Female (PF 1/2 Female) also available as options

Figure 3. Mounting Configurations with Optional Mounting Brackets



Dimensions are in inches (millimeters).



## Options

### Standard configuration

Unless otherwise specified, transmitter is shipped as follows:

<b>Engineering units</b>	psi (all ranges)
<b>4 mA (1 Vdc)</b>	0 (engineering units)
<b>20 mA (5 Vdc)</b>	Upper range limit
<b>Output</b>	Linear
<b>Flange type</b>	Specified model code option
<b>Flange material</b>	Specified model code option
<b>O-ring material</b>	Specified model code option
<b>Drain/vent</b>	Specified model code option
<b>LCD display</b>	Installed or none
<b>Alarm</b>	High
<b>Software tag</b>	(Blank)

### Custom configuration

If Option Code C9 is ordered, the customer may specify the following data in addition to the standard configuration parameters.

- Output Information
- Transmitter Information
- LCD display Configuration
- Hardware Selectable Information
- Signal Selection

Refer to the “Rosemount 2088 Configuration Data Sheet” document number 00806-0100-4690.

### Tagging (3 options available)

- Standard SST hardware tag is permanently affixed on transmitter. Tag character height is 0.125 in. (3,18 mm), 84 characters maximum.
- Tag may be wired to the transmitter nameplate upon request, 85 characters maximum.
- For HART protocols, the tag may be stored in transmitter memory (eight characters maximum). Software tag is left blank unless specified.
- HART Revision 5: 8 characters
- HART Revision 7: 32 characters

### Optional Rosemount 306 Integral Manifold

Factory assembled to 2088 transmitters. Refer to Product Data Sheet (document number 00813-0100-4733 for Rosemount 306) for additional information.

### Other seals

Refer to Product Data Sheet (document number 00813-0100-4016 or 00813-0201-4016) for additional information.

### Output information

Output range points must be the same unit of measure. Available units of measure include:

Pressure Units <sup>(1)</sup>		
torr	psf <sup>(1)</sup>	cmH <sub>2</sub> O@4 °C <sup>(1)</sup>
atm	inH <sub>2</sub> O	mH <sub>2</sub> O@4 °C <sup>(1)</sup>
Pa	inH <sub>2</sub> O@4 °C <sup>(1)</sup>	inHg
kPa	inH <sub>2</sub> O@60 °F <sup>(1)</sup>	mmHg
MPa <sup>(1)</sup>	ftH <sub>2</sub> O	cmHG@0 °C <sup>(1)</sup>
hPa <sup>(1)</sup>	ftH <sub>2</sub> O@4 °C <sup>(1)</sup>	mHG@0 °C <sup>(1)</sup>
mbar	ftH <sub>2</sub> O@60 °F <sup>(1)</sup>	g/cm <sup>2</sup>
bar	mmH <sub>2</sub> O	kg/m <sup>2</sup> (1)
psi	mmH <sub>2</sub> O@4 °C <sup>(1)</sup>	kg/cm <sup>2</sup>

(1) Field configurable only, not available for factory calibration or custom configuration (option code C9 “Software configuration”).

## Display and interface options

### M4 Digital Display with Local Operator Interface (LOI)

- Available for 4-20 mA HART, 4-20 mA HART Low Power

### M5 Digital Meter

- 2-Line, 5-Digit LCD for 4-20 mA HART
- 2-Line, 5-Digit LCD for 1-5 Vdc HART Low Power
- Direct reading of digital data for higher accuracy
- Displays user-defined flow, level, volume, or pressure units
- Displays diagnostic messages for local troubleshooting
- 90-degree rotation capability for easy viewing

## Configuration buttons

Rosemount 2088 now offers optional internal and external configuration buttons.

- Choosing option D4 will add external Analog Zero and Span configuration buttons
- Choosing option DZ will add an external Digital Zero Trim configuration button
- Choosing option M4 (LOI) adds both internal and external local configuration buttons.

Certain button options can also be combined as shown below:

Button configuration		
Option codes	Internal	External
DZ	N/A	Digital Zero Trim
D4	N/A	Analog Zero & Trim
M4	LOI	LOI
M4 + DZ	LOI	Digital Zero Trim
M4 + D4	LOI	Analog Zero & Trim

## Rosemount 2088 bracket option

### B4 Bracket for 2-in. Pipe or Panel Mounting

- Bracket for mounting of transmitter on 2-in. pipe or panel
- Stainless steel construction with stainless steel bolts



### Rosemount World Headquarters

#### Emerson Process Management

6021 Innovation Blvd  
Shakopee, MN 55379, USA  
☎ +1 800 999 9307 or +1 952 906 8888  
☎ +1 952 949 7001  
✉ RFQ.RMD-RCC@EmersonProcess.com

### North America Regional Office

#### Emerson Process Management

8200 Market Blvd.  
Chanhassen, MN 55317, USA  
☎ +1 800 999 9307 or +1 952 906 8888  
☎ +1 952 949 7001  
✉ RMT-NA.RCCRFQ@Emerson.com

### Latin America Regional Office

#### Emerson Process Management

1300 Concord Terrace, Suite 400  
Sunrise, Florida, 33323, USA  
☎ +1 954 846 5030  
☎ +1 954 846 5121  
✉ RFQ.RMD-RCC@EmersonProcess.com

### Europe Regional Office

#### Emerson Process Management Europe GmbH

Neuhofstrasse 19a P.O. Box 1046  
CH 6340 Baar  
Switzerland  
☎ +41 (0) 41 768 6111  
☎ +41 (0) 41 768 6300  
✉ RFQ.RMD-RCC@EmersonProcess.com

### Asia Pacific Regional Office

#### Emerson Process Management Asia Pacific Pte Ltd

1 Pandan Crescent  
Singapore 128461  
☎ +65 6777 8211  
☎ +65 6777 0947  
✉ Enquiries@AP.EmersonProcess.com

### Middle East and Africa Regional Office

#### Emerson Process Management

Emerson FZE P.O. Box 17033,  
Jebel Ali Free Zone - South 2  
Dubai, United Arab Emirates  
☎ +971 4 8118100  
☎ +971 4 8865465  
✉ RFQ.RMTMEA@Emerson.com

Standard Terms and Conditions of Sale can be found at [www.rosemount.com/terms\\_of\\_sale](http://www.rosemount.com/terms_of_sale)  
The Emerson logo is a trademark and service mark of Emerson Electric Co.  
Rosemount, THUM Adapter, and the Rosemount logotype are registered trademarks of Rosemount Inc.  
PlantWeb is a registered trademark of one of the Emerson Process Management group of companies.  
HART and *WirelessHART* are registered trademarks of the FieldComm Group.  
All other marks are the property of their respective owners.  
© 2015 Rosemount Inc. All rights reserved.