

# Diaphragm pressure gauge Stainless steel version Models 432.50, 433.50

WIKA data sheet PM 04.03



## Applications

- For measuring points with increased overpressure
- With liquid-filled case for applications with high dynamic pressure loads or vibrations <sup>1)</sup>
- For gaseous and liquid, aggressive and highly viscous or contaminated media, also in aggressive ambience
- Process industry: Chemical/petro-chemical, power stations, mining, on- and offshore, environmental technology, machine building and general plant construction

## Special features

- All stainless steel construction
- High overpressure safety
- Process connection thread or open flange
- Wide choice of special materials
- Scale ranges from 0 ... 16 mbar

## Description

### Design

EN 837-3

### Nominal size in mm

100, 160

### Accuracy class

1.6

### Scale ranges

0 ... 16 mbar to 0 ... 250 mbar (flange Ø 160 mm)  
0 ... 400 mbar to 0 ... 25 bar (flange Ø 100 mm)  
or all other equivalent vacuum or combined pressure and vacuum ranges

### Pressure limitation

Steady: Full scale value  
Fluctuating: 0.9 x full scale value

### Overpressure safety

5 x full scale value, however max. 40 bar

### Permissible temperature

Ambient: -20 ... +60 °C  
Medium: +100 °C maximum  
Storage: -40 ... +70 °C  
(scale ranges ≤ 60 mbar: -20 ... +70 °C)

### Temperature effect

When the temperature of the measuring system deviates from the reference temperature (+20 °C):  
max. ±0.8 %/10 K of full scale value

### Ingress protection

IP 54 per EN 60529 / IEC 529  
(with liquid filling <sup>1)</sup> IP 65)

<sup>1)</sup> Model 433.50



Diaphragm pressure gauge model 432.50

## Standard version

### Process connection with lower measuring flange

Stainless steel 316L, G ½ B (male), 22 mm flats

### Pressure element

≤ 0.25 bar: Stainless steel 316L

> 0.25 bar: NiCr-alloy (Inconel)

### Pressure chamber sealing

FPM/FKM

### Movement

Stainless steel

### Dial

Aluminium, white, black lettering

### Pointer

Aluminium, black

### Case with upper measuring flange

Stainless steel, with pressure relief, gauges with liquid filling with compensating valve to vent case

### Window

Laminated safety glass

### Bezel ring

Cam ring (bayonet type), stainless steel

### Filling liquid (for model 433.50)

Glycerine 86.5 %

## Options

- Other process connection
- Sealings (model 910.17, see data sheet AC 09.08)
- Safety version (model 43x.30)
- Overpressure safe: 10 x full scale value, max. 40 bar
- Vacuum safe up to -1 bar
- Max. medium temperature +200 °C
- Admissible ambient temperature -40 ... +60 °C (silicone oil filling)
- Higher indication accuracy, class 1.0 and 0.6

## Further options

- Open connecting flanges per DIN/ASME from DN 15 to DN 80 (preferred nominal widths DN 25 and 50 or DN 1" and 2"; see data sheet IN 00.10)
- Wetted parts lined/coated with special materials such as PTFE (model 45x.50), Hastelloy, Monel, nickel, tantalum, titanium, silver (accuracy class 2.5, overpressure safety on request)
- Pressure gauge with switch contacts, see model PGS43.1x0, data sheet PV 24.03
- Pressure gauge with electrical output signal, see model PGT43.1x0, data sheet PV 14.03
- Version per ATEX Ex II 2 GD c TX

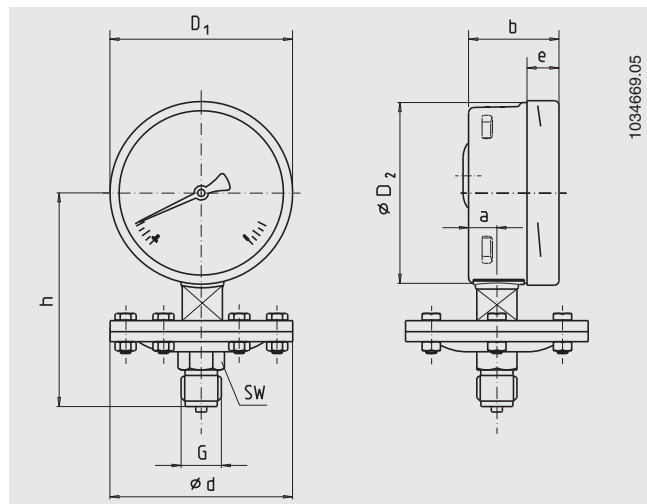
### Instruments with special approvals: 1)

- DVGW conformity certificate for building services and systems engineering
- DIN/DVGW registration: pressure switch per EN 1854
- Pressure switch per VdTÜV codes of practice 100/1
- Gosstandart approval (Russia)
- Design approval for connection to hazardous Zone 0

1) Specification on request

## Dimensions in mm

### Standard version



NS	Scale range in bar	Dimensions in mm									Weight in kg
		d	a	b	D <sub>1</sub>	D <sub>2</sub>	e	G	h ±2	SW	
100	≤ 0.25	160	15.5	49.5	101	99	17.5	G ½ B	119	22	2.50
160	≤ 0.25	160	15.5	49.5	161	159	17.5	G ½ B	149	22	2.90
100	> 0.25	100	15.5	49.5	101	99	17.5	G ½ B	117	22	1.30
160	> 0.25	100	15.5	49.5	161	159	17.5	G ½ B	147	22	1.70

Process connection per EN 837-3 / 7.3

### Ordering information

Model / Nominal size / Scale range / Connection size / Connection location / Options

© 2002 WIKA Alexander Wiegand SE & Co. KG, all rights reserved.

The specifications given in this document represent the state of engineering at the time of publishing.

We reserve the right to make modifications to the specifications and materials.



**WIKAL Alexander Wiegand SE & Co. KG**  
 Alexander-Wiegand-Straße 30  
 63911 Klingenberg/Germany  
 Tel. (+49) 9372/132-0  
 Fax (+49) 9372/132-406  
 E-mail info@wika.de  
 www.wika.de