

Bourdon Tube Pressure Gauges Model 131.11, Stainless Steel Series

WIKA Data Sheet PM 01.05



Applications

- For gaseous and liquid aggressive media that are not highly viscous or crystallising, also in aggressive ambience
- CDA (Clean Dry Air) applications
- Indication of failure alarm on gas cylinders
- Machine building and general plant construction

Special Features

- All stainless steel construction
- Cost-effective and reliable
- Compatible with switch contacts (NS 50)
- Scale ranges up to 0 ... 1000 bar



Bourdon Tube Pressure Gauge Model 131.11.50 with 2nd scale psi

Description

Design

EN 837-1

Nominal size in mm

40, 50, 63

Accuracy class

2.5

Scale ranges

NS 40 and 50: 0 ... 1 to 0 ... 600 bar

NS 63: 0 ... 1 to 0 ... 1000 bar

or all other equivalent vacuum or combined pressure and vacuum ranges

Pressure limitation

Steady: 3/4 x full scale value

Fluctuating: 2/3 x full scale value

Short time: full scale value

Operating temperature

Ambient: -40 ... +60 °C

Medium: +100 °C maximum

Temperature effect

When the temperature of the measuring system deviates from the reference temperature (+20 °C):

max. ±0.4 %/10 K of full scale value

Ingress protection

IP 54 per EN 60 529 / IEC 529

Standard version

Process connection

Stainless steel 1.4571,
lower mount (LM) or centre back mount (CBM)
G ¼ B (male), 14 mm flats

Pressure element

Stainless steel 316L,
< 100 bar: C-type
≥ 100 bar: helical type

Movement

Stainless steel

Dial

Aluminium, white, black lettering, with pointer stop pin

Pointer

Aluminium, black

Case

Stainless steel

Window

Polycarbonate, snap-fit in case

Special versions

Gauges for ammonia plants (NS 63)

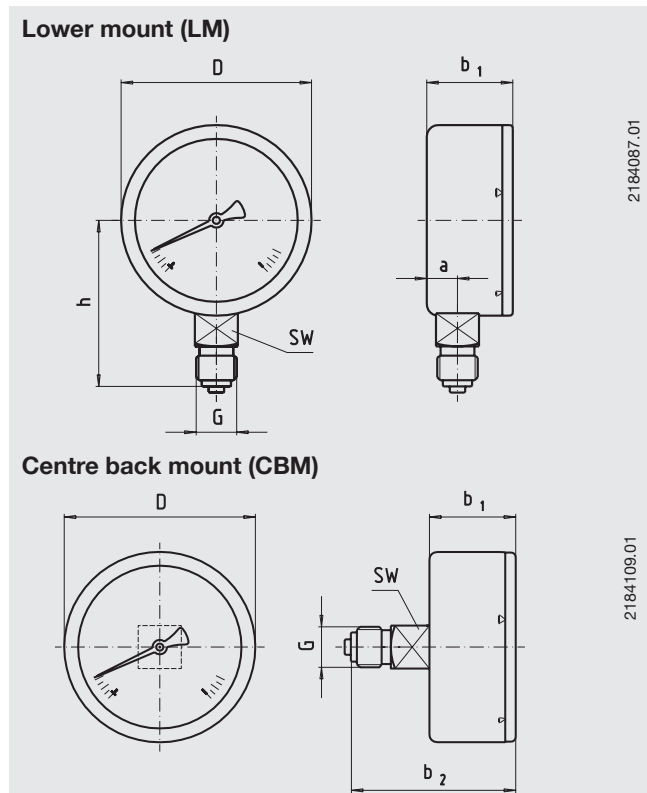
With temperature scale for refrigerant R 717 (NH₃) in °C,
scale ranges: -1 ... 0 ... 15 bar or -1 ... 0 ... 26 bar

Options

- Other process connection
- Assembly on diaphragm seals see product review DS
- Slip-on bezel, stainless steel or stainless steel, polished
- Laminated safety glass or instrument glass window (both only in combination with slip-on bezel)
- Panel mounting flange, stainless steel, polished
- Surface mounting flange, stainless steel (NS 63)
- Triangular bezel, stainless steel, polished, with clamp (only with back mount)
- Switch contacts (NS 50, data sheet SP 01.03)

Dimensions in mm

Standard version



NS	Dimensions in mm								Weight in kg
	a	b ₁ ± 1	b ₂ ± 1	D	G	h ± 1	SW		
40	9	28	52.5	39	G ¼ B	39	14	0.05	
50	9.6	28	53.5	49	G ¼ B	47	14	0.09	
63	10	28	53.5	62	G ¼ B	54	14	0.12	

Process connection per EN 837-1 / 7.3

Ordering information

Model / Nominal size / Scale range / Connection size / Connection location / Options

Modifications may take place and materials specified may be replaced by others without prior notice.
Specifications and dimensions given in this leaflet represent the state of engineering at the time of printing.

